



**AVK MAGNUS™ PE100 BALL VALVES**  
Fusible ends / Minimum full bore on all body sizes  
Valve sizes OD25 up to OD180

**85/50**  
**010**  
**HDPE/BV**

The AVK Magnus universal ball valve is for use in the isolation of water & gas on domestic, commercial and industrial premises. The ends are designed for butt-/electro-fusion making the valve an integral part of the fully welded leak-free pipe system.  
The valve is designed, manufactured and approved to worldwide leading standards.

**Features**

- Robust design, suitable for most harsh environments
- Material selection body and spigot (PE100-RC) offering excellent resistance to crack propagation
- Seat, ball and grease combination ensuring low operating torques and avoids sticking over time
- Selected ball material offering good scratch resistance
- Grease with minimal wearing off from the lubricated surfaces for improved long term performance
- Available with double spigot length allowing for 2 electrofusion joints
- Traccoding (barcode) + AVIT (QR code) - asset management to record, track and identify where valves are located and ensure traceability at all times
- Seat compression of large sealing surfaces precisely set via separate pre-assembly
- Flexible spindle shaft to ensure equal compression around the O-rings when loaded by internal pressure
- Operating lever for all sizes (OD25-OD180)

**Tests/Approvals**

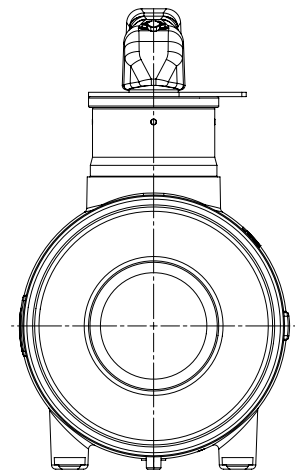
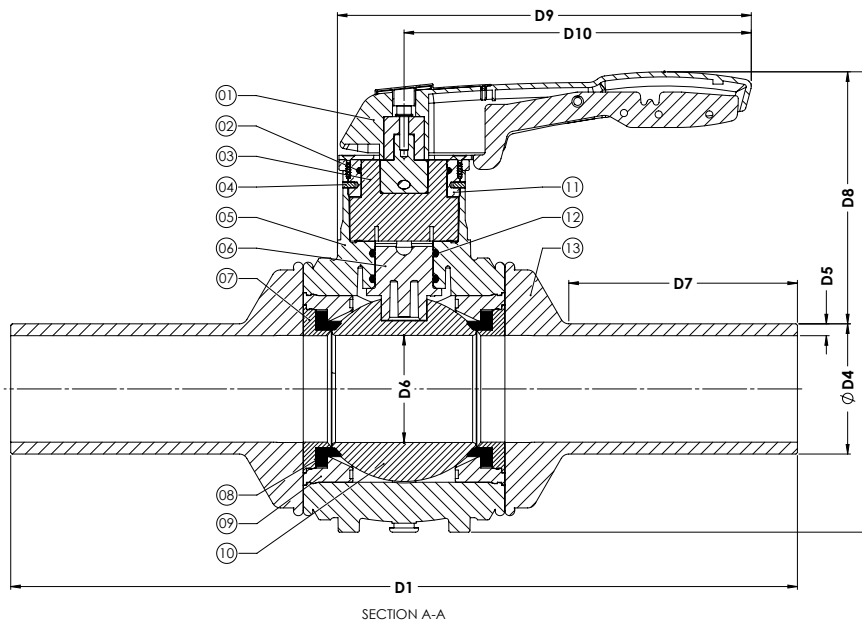
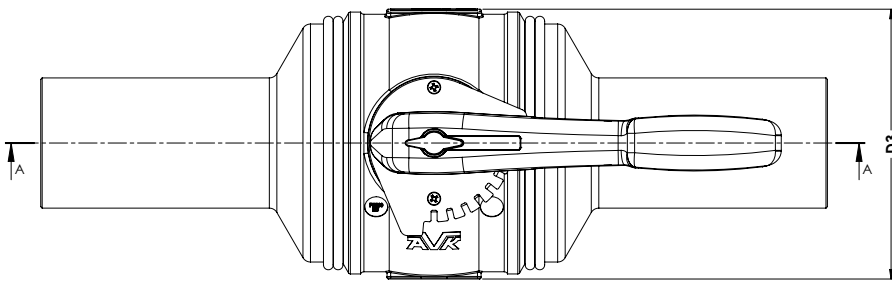
EN1555-4, ISO4437-4, GB15558.3 and EN12201-4



Expect... **AVR**

**AVK MAGNUS™ PE100 BALL VALVES**  
 Fusible ends / Minimum full bore on all body sizes  
 Valve sizes OD25 up to OD180

**85/50**  
**010**  
**HDPE/BV**



**Component list**

|                 |                   |                  |          |
|-----------------|-------------------|------------------|----------|
| 1. Lever        | Various materials | 8. Ball seat     | NBR-70   |
| 2. O-ring       | NBR-70            | 9. Seat retainer | PE100-RC |
| 3. Connector    | PA-GF             | 10. Ball         | POM      |
| 4. Locking pin  | SS 316            | 11. Bearing ring | PA       |
| 5. Body         | PE100-RC          | 12. O-ring       | NBR-70   |
| 6. Stem         | POM               | 13. Spigot       | PE100-RC |
| 7. Support ring | PE100-RC          |                  |          |

**Reference nos. and dimensions**

| AVK ref. nos. | Valve size<br>mm | D1<br>mm<br>SSL/DSL* | D2<br>mm | D3<br>mm | D4<br>mm | D5<br>mm | D6<br>mm | D7<br>mm<br>SSL/DSL* | D8<br>mm | D9<br>mm | D10<br>mm | Weight<br>kg<br>SSL/DSL* |
|---------------|------------------|----------------------|----------|----------|----------|----------|----------|----------------------|----------|----------|-----------|--------------------------|
| 85-025-50     | OD25/DN25        | 230 / 310            | 205      | 90       | 25       | 3.0      | 25       | 44 / 84              | 140      | 230      | 195       | 1.2 / 1.3                |
| 85-032-50     | OD32/DN25        | 230 / 320            | 205      | 90       | 32       | 3.0      | 25       | 46 / 90              | 140      | 230      | 195       | 1.2 / 1.3                |
| 85-040-50     | OD40/DN32        | 240 / 340            | 220      | 100      | 40       | 3.7      | 32       | 49 / 98              | 140      | 230      | 195       | 1.4 / 1.4                |
| 85-050-50     | OD50/DN40        | 255 / 365            | 235      | 115      | 50       | 4.6      | 40       | 56 / 111             | 145      | 230      | 195       | 1.6 / 1.7                |
| 85-063-50     | OD63/DN50        | 315 / 440            | 270      | 140      | 63       | 5.8      | 50       | 65 / 130             | 165      | 286      | 240       | 3.0 / 3.1                |
| 85-090-50     | OD90/DN80        | 385 / 545            | 320      | 185      | 90       | 8.2      | 74       | 79 / 158             | 175      | 286      | 240       | 5.1 / 5.4                |
| 85-110-50     | OD110/DN100      | 420 / 585            | 335      | 205      | 110      | 10.0     | 86       | 84 / 165             | 170      | 286      | 240       | 6.9 / 7.4                |
| 85-125-50     | OD125/DN100      | 420 / 595            | 335      | 205      | 125      | 11.4     | 86       | 89 / 176             | 165      | 286      | 240       | 7.1 / 7.8                |
| 85-160-50     | OD160/DN150      | 515 / 710            | 405      | 285      | 160      | 14.6     | 120      | 100 / 196            | 210      | 450      | 390       | 16.5 / 17.4              |
| 85-180-50     | OD180/DN150      | 515 / 725            | 405      | 285      | 180      | 16.4     | 120      | 105 / 210            | 205      | 450      | 390       | 16.6 / 18.5              |

\*Single spigot length / double spigot length  
 Above dimensions are subject to tolerances